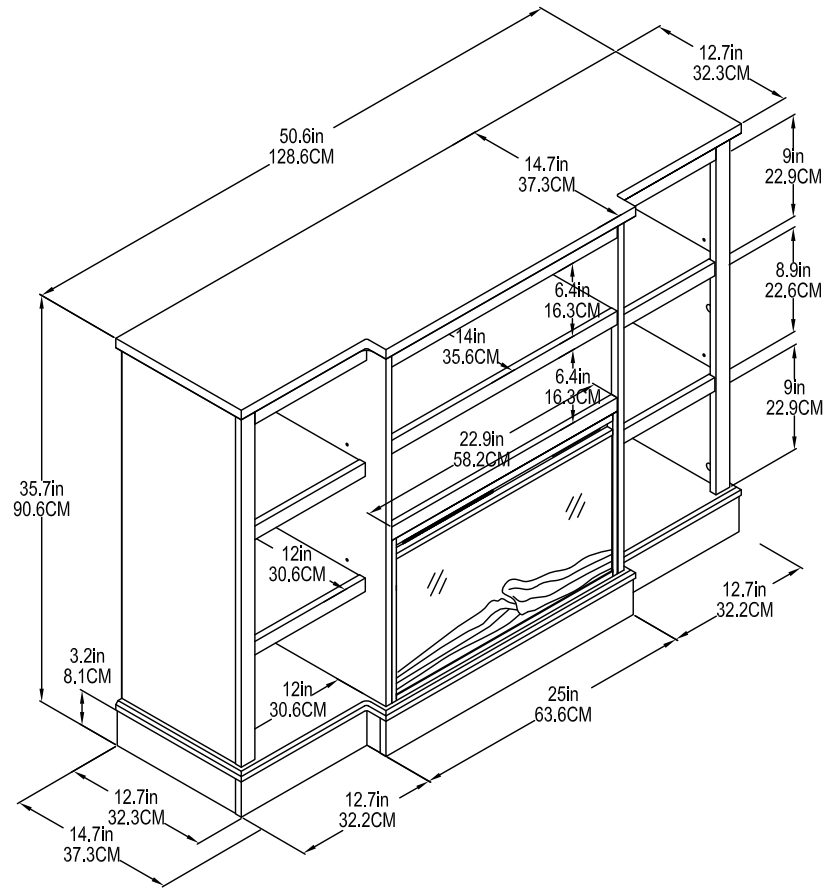
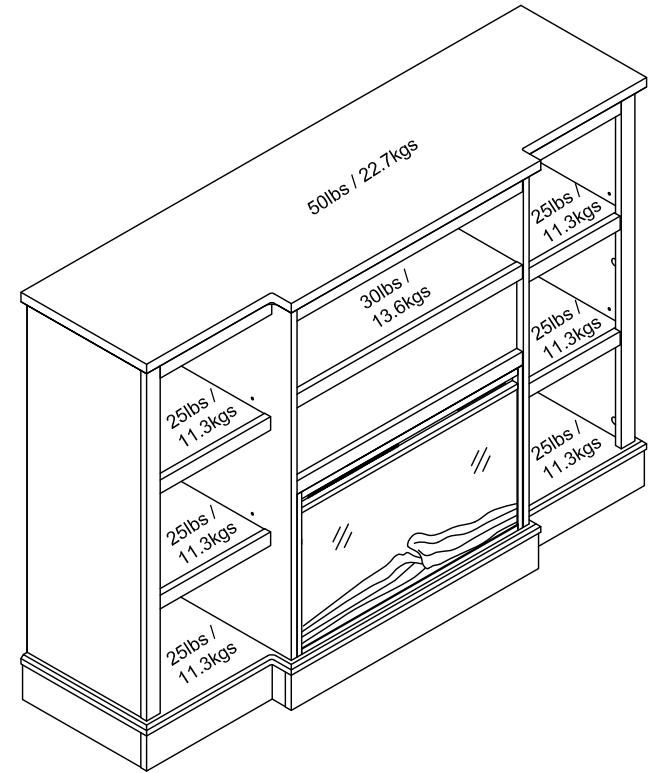


3486013COM -FIREPLACE MANTEL



Wood Breakdown:
MDF 15%, PB 85%.
Total storage: 4.6 cubic feet

Overall Product Size:
50.6" W × 14.7" D × 35.7" H
128.6cm W × 37.3cm D × 90.6cm H



Maximum Weight Capacities
Unit Weight: 101lbs. (45.9kg)